

JULY 2023



DIRECT
SUPPLY INC
SURFACE MATERIALS \ CABINETRY \ HARDWARE



KARRAN® STAINLESS STEEL SINK EDGE BITS

GARBIDE TIPPED - 2 FLUTE WITH ULTRA GLIDE BALL BEARING GUIDE

These bits are designed specifically for use for the Karran stainless steel Edge Sinks for laminate and 1/2" solid surface materials.

They trim the countertop edge after the bowl is mounted.



ØD	A	a°	B	Ød	L	Description	Tool No.
1-3/16	1/2 or 3/4	11.5°	1	1/2	3-1/8	Bevel	AM_57169
49/64	1/2 or 3/4	—	1-1/2	1/2	3-1/2	Flush	AM_57155
7/8	1/2 or 3/4	15°	7/8	1/4	2-1/4	Bevel	AM_49409
2-3/8	1/2 or 3/4	45°	13/16	1/2	2-7/8	Bevel	AM_57163

*FOR USE ON THE EDGE SERIES SINKS WITH SOLID SURFACE COUNTERTOPS.

REPLACEMENT ULTRA-GLIDE® BEARING ASSEMBLY

#47733 (fits #57169 & #57155 and includes #5009 1/8" hex key and #67146 special flat head machine screw).

STEEL BALL BEARING

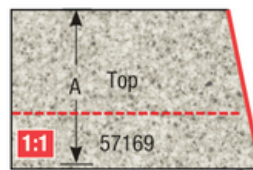
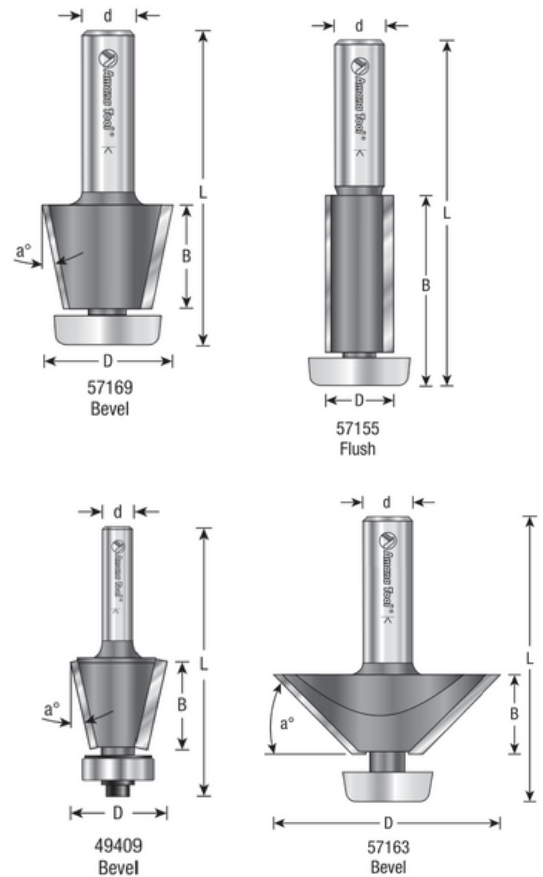
#47718 (fits #49409).

ULTRA-GLIDE- BEARING

#47765 (fits #57163), Screw #67147.

ULTRA-GLIDE- BEARING

#47797, Screw #67147, Key #500



Solid Surface with Stainless Steel Sink



Laminate with Stainless Steel Sink

INDUSTRIAL SOLID SURFACE ROUTER BITS